



4 Ports Polarization Maintaining Optical Circulator

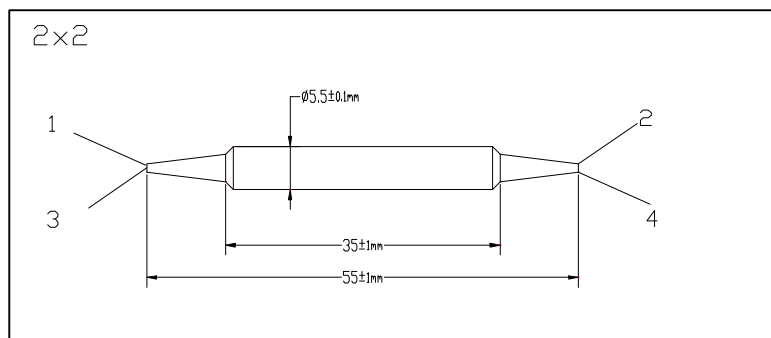
The 4 Port PM Optical Circulator is a high performance lightwave device which transmits the incoming signal from port 1 to port 2, from port 2 to port 3, and from port 3 to port 4.

This device provides high isolation, low insertion loss, high extinction ratio, and excellent environment stability.

Specifications

Parameter	Unit	
Center Wavelength	nm	1310 or 1550
Operating Wavelength Range	nm	± 30
Typ. Insertion Loss	dB	0.8
Max. Insertion Loss	dB	1.1
Peak Isolation	dB	52
Typ. Isolation	dB	46
Min. Isolation	dB	40
Min. Extinction Ratio	dB	20
4)	dB	50
Min. Return Loss	dB	55
Max. Optical Power	mW	300
Max. Tensile Load	N	5
Storage Temperature	°C	-40 to +85
Operating Temperature	°C	-5 to + 70

Package Dimensions



Ordering Information

FLCR-①①-②-③-④

①①: Wavelength

13 - 1310nm

15 - 1550nm

②: Ports

4 - 4 Ports

③: Fiber Type

25- 250um Panda Fiber

40- 400um Panda Fiber

90- 900um loose tube Panda Fiber

S - Specify

④: Fiber Length

50 - 0.50m

75 - 0.75m

S - Specify

*Above specifications are for device without connector.

*Most type of connectors are available on request. However the IL will be 0.3dB higher, RL will be 5dB lower, and ER will be 2dB lower.

*These are worst case figures.

Note: The Polarisation Maintaining fiber and the connector key is aligned to the slow axis by default.